



Sanitary Pump Series

1.2 Sanitary Self-priming Pump Page 21-26

Application

Sanitary self-priming Pump is mainly applicable in the transportation of air-conditioning material. It is thus used widely in the suction of materials under such conditions as unstable liquid level, or even liquid level is lower than the pump inlet. It can also act as a return pump in CIP system. It is the indispensable transporting equipment in food, chemical and pharmaceutical industries.

Features and advantages

- Adopting the sideways principle.
- Outstanding pumping ability.
- Perfect sanitary property and clean-ability.
- Cost effective maintenance.
- Low power consumption, low noise.

Shaft Seal

SFZB Sanitary Self-priming Pump adopts mechanical shaft seal.
Machinery sealed material: C-316L
SiC-SiC
TC-TC

Materials

All the medium-contacting parts, pumps casing, cover and impeller are made of 316L stainless steel.
Medium-contacting parts: 316L stainless steel.
Other parts: 304 stainless steel.
Medium-contacting steel: EPDM, FKM.

Surface treatment

Medium-contacting parts: polishing
Other parts: matt or sand blasting

Technical parameter

Max. Inlet pressure: 0.5MPa
Temperature range: -10°C~+140°C(EPDM)
Noise level (at 1 meter distance): ≤85 dB (A)
Voltage frequency: 50Hz, 220~240V/380~420V/660~690V Δ/Y
Motor power: 5.5, 7.5, 11, 15, 18.5KW



Technical parameters

Max. Inlet pressure: 0.5MPa
 Temperature range: -10°C~+140°C(EPDM)
 Flushable mechanical seal:
 Water pressure: Mac 0.1MPa
 Flow rate: 0.25~0.5L/min

Motor

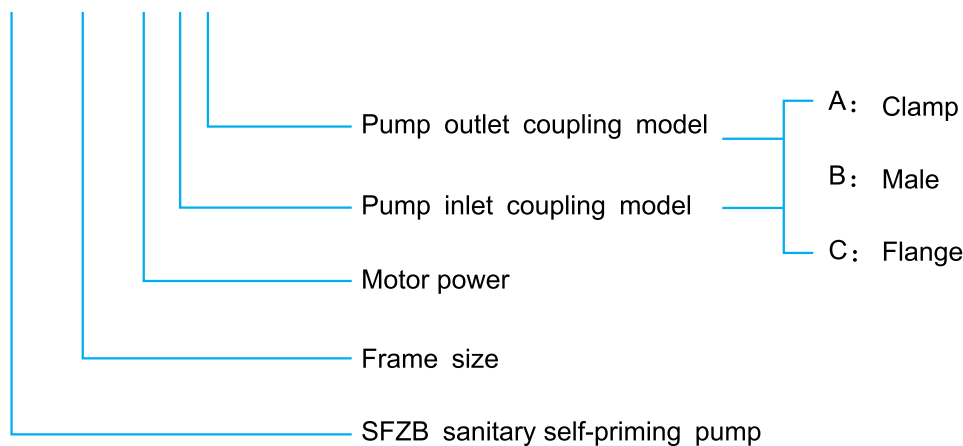
1. ABB, SIEMENS, WEG three phase alternating current motor is adopted. It is produced in compliance with IEC60034/IEC60072 standards and CE of EU.
 “WEG” confirms to the North American “CSA” and “UL” certification.
2. Anti-Explosion motor is available to meet requirements on different occasions.
3. Outstanding electrical properties, low noise, low vibration, standard IP Grade is IP55, insulation class is grade F.
4. Working Voltage:
 ≤3Kw,220~240V/380~420V,Δ/Y
 ≤3Kw,380~420V/660~690V,Δ/Y
5. Frequency: 50Hz/60Hz
6. Working mode: continuous (SI)
7. Rotating speed: standard: 1450r/min

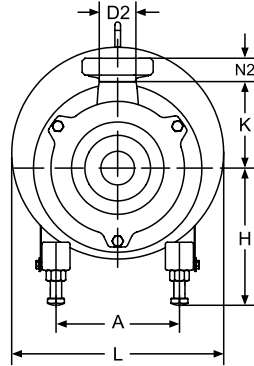
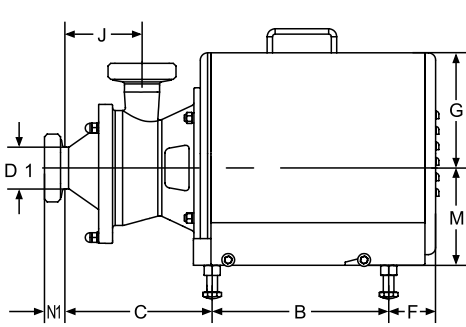
SFZB

Model description of SFB Sanitary Self-priming Pump

(Example)

SFZB-1020 - 5.5 A B

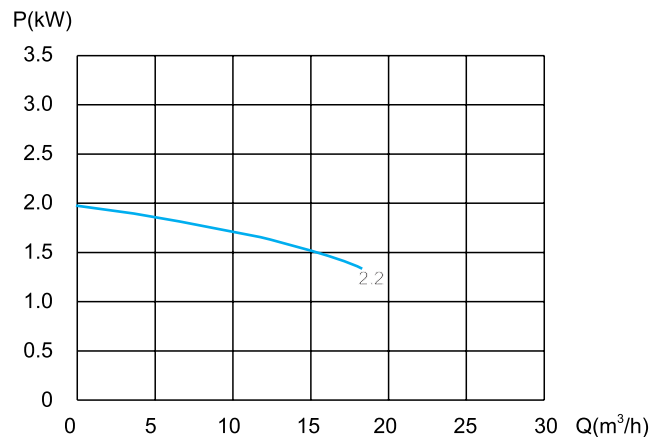
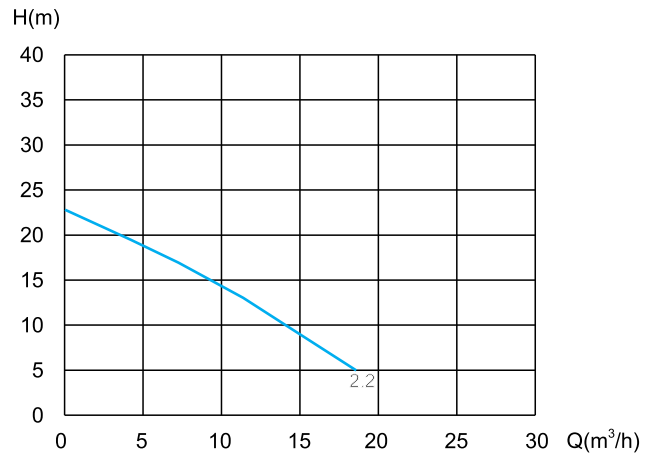




SFZB-1010 Dimensions

Size	(Motor Power)
	2.2KW
A	170
B	270
C	186
F	147
G	210
H max	220
H min	190
J	117
K	125
L	350
M	150

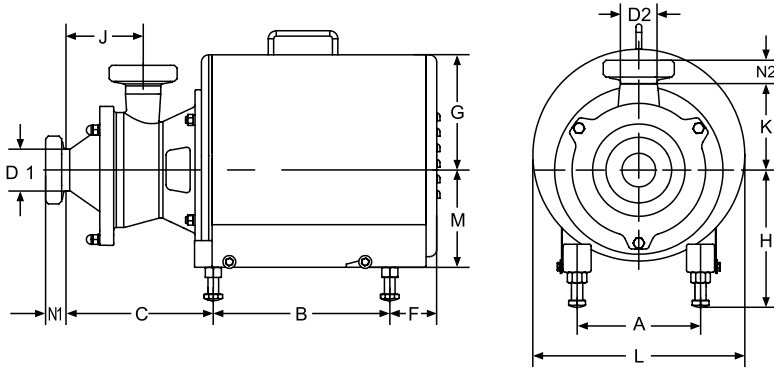
Size	ISO	DIN	SMS	DIN	ISO	DIN
D1	50.8	52	50.8	52	50.8	52
D2	50.8	52	50.8	52	50.8	52
N1	21.5	21.5	20	23	25	24
N2	21.5	21.5	20	23	25	24



Performance Curve

Medium: 20°C clean water Error: ±5%	Rotating Speed: 1450r/min Frequency: 50Hz	Inlet Diameter: Φ50.8 DN50 Outlet Diameter: Φ50.8 DN50	Suction Lift: 8M
--	--	---	------------------

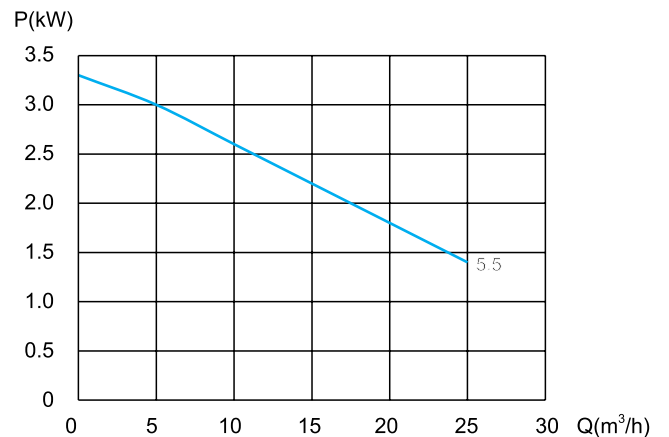
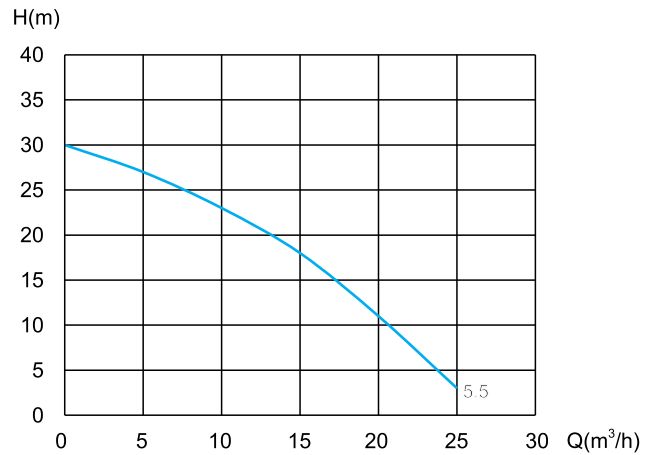
Safety tolerance should be reserved when selecting motor power



SFZB-1020 Dimensions

Size	(Motor Power)
	5.5KW
A	216
B	330
C	273
F	88
G	215
H max	295
H min	260
J	142
K	154
L	400
M	182

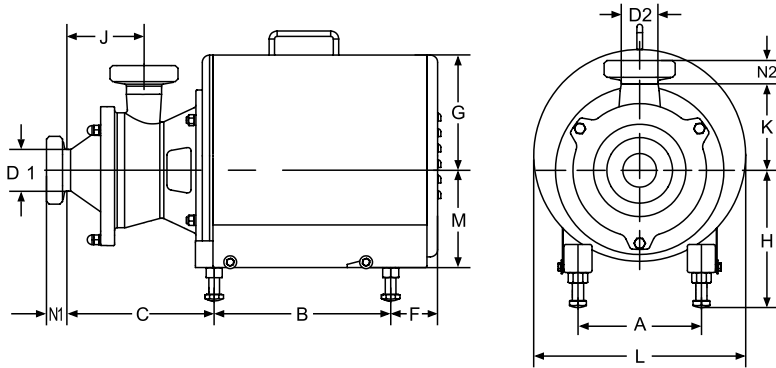
Size	ISO	DIN	SMS	DIN	ISO	DIN
D1	76.1	85	76.1	85	76.1	85
D2	63.5	70	63.5	70	63.5	70
N1	21.5	21.5	24	24	25	24
N2	21.5	21.5	24	24	25	24



Performance Curve

Medium: 20°C clean water Error: ±5%	Rotating Speed: 1450r/min Frequency: 50Hz	Inlet Diameter: Φ76.1 DN80 Outlet Diameter: Φ63.5 DN65	Suction Lift: 8M
--	--	---	------------------

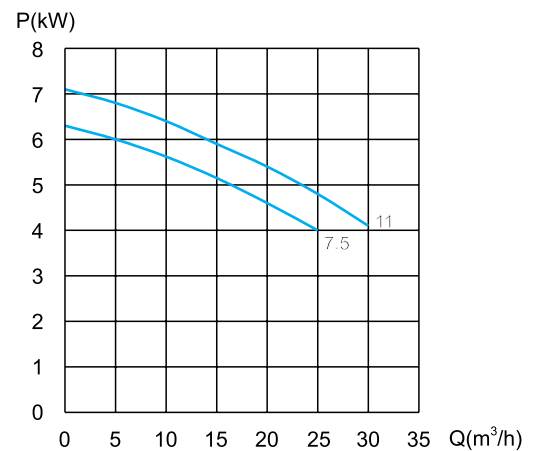
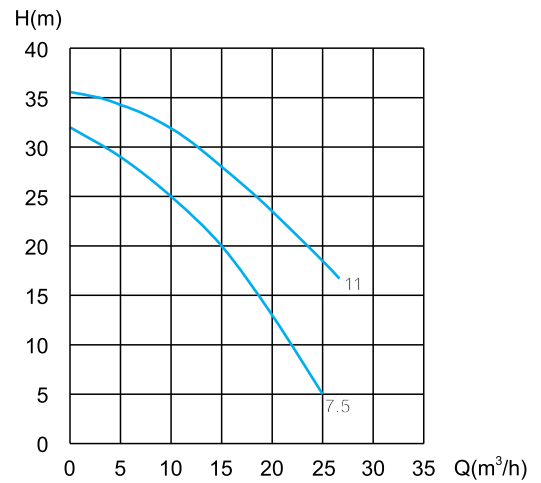
Safety tolerance should be reserved when selecting motor power



SFZB-2020 Dimensions

Size	(Motor Power)	
	7.5KW	11KW
A	216	254
B	328	400
C	245	278
F	117	72
G	215	270
H max	260	290
H min	230	255
J	142	142
K	156	154
L	400	480
M	182	182

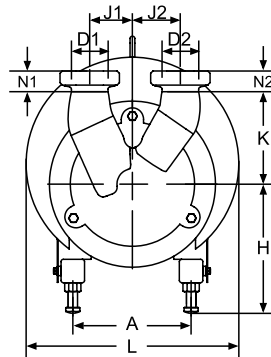
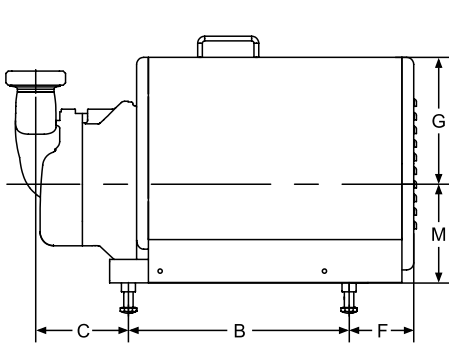
Size	ISO	DIN	SMS	DIN	ISO	DIN
D1	76.1	85	76.1	85	76.1	85
D2	63.5	70	63.5	70	63.5	70
N1	21.5	21.5	24	24	25	24
N2	21.5	21.5	24	24	25	24



Performance Curve

Medium: 20°C clean water Error: ±5%	Rotating Speed: 1450r/min Frequency: 50Hz	Inlet Diameter: Φ76.1 DN80 Outlet Diameter: Φ63.5 DN65	Suction Lift: 8M
--	--	---	------------------

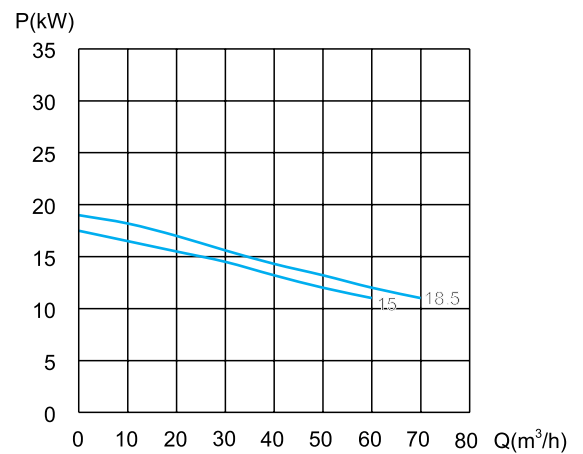
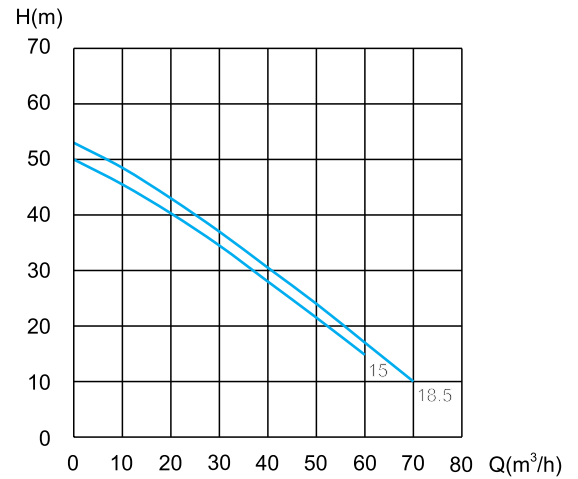
Safety tolerance should be reserved when selecting motor power



SFZB-5030 Dimensions

Size	(Motor Power)	
	15KW	18.5KW
A	254	279
B	400	390
C	197	245
F	188	200
G	270	280
H max	300	320
H min	260	280
J1	91	91
J2	102	102
K	197	197
L	460	470
M	210	230

Size	ISO	DIN	SMS	DIN	ISO	DIN
D1	76.1	85	76.1	85	76.1	85
D2	76.1	85	76.1	85	76.1	85
N1	21.5	21.5	24	44	25	24
N2	21.5	21.5	24	44	25	24



Performance Curve

Medium: 20°C clean water Error: ±5%	Rotating Speed: 1450r/min Frequency: 50Hz	Inlet Diameter: Φ76.1 DN80 Outlet Diameter: Φ76.1 DN80	Suction Lift: 8M
--	--	---	------------------

Safety tolerance should be reserved when selecting motor power